

ORION[®]

“SMART PEOPLE CHOOSE ORION”

CAR VIDEO REGISTRATOR

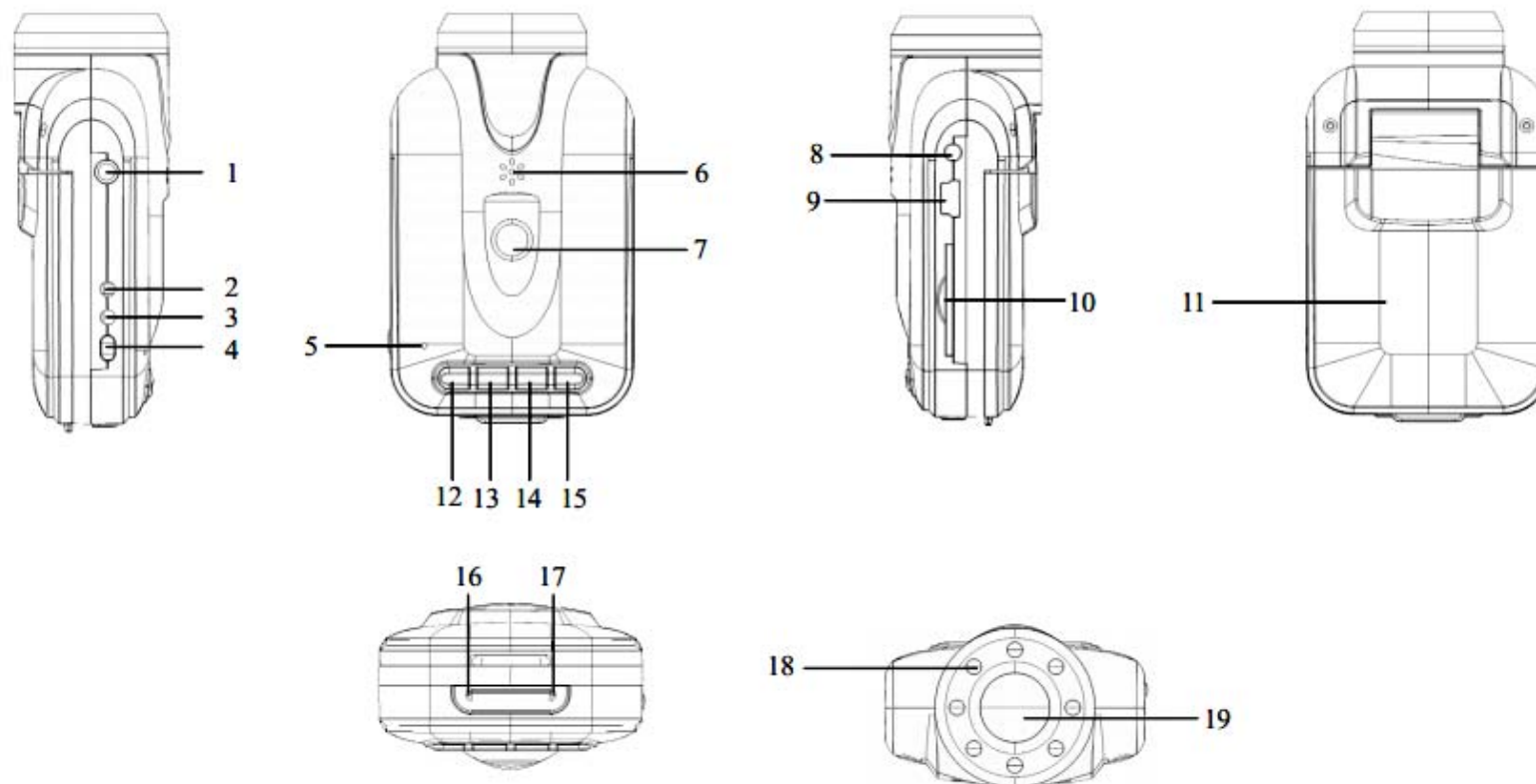


**INSTRUCTION MANUAL
MODEL: DVR-950FHD**

English

Dear customers! Thank you for purchasing ORION products. Before operation, please read this instruction manual. Save it for future reference.

1. CONTROLS AND CONNECTORS



1. AV-OUT
2. Blue record light
3. Red charging light
4. Reset button
5. Microphone
6. Speaker
7. Car support
8. DC charging
9. USB out
10. SD slot

11. LCD screen
12. Menu/ SOS
13. Up
14. Down
15. Mode
16. Power
17. OK
18. Infrared ray night vision lamp
19. Lens

2. HOW TO USE

Install and remove the memory card

1. Insert the memory card into the card slot according to the indication directions until the memory card is fixed in the card slot.
2. For taking out the memory card, press the memory slightly first and then take the card out.
3. With no card in it shows: the "No Card"

Charge

This product built-in Lithium polymer battery, please charge first time you use:

1. Connect to the computer, use the USB transmission line.
2. The original round car charger (Please use the original charger provided by our company)

Cam on and off mode switching

1. Shortly press the "switch" button, power on
2. When the power is on default video mode, press "confirm" then start to record, press "Video" button to pause and automatically save
3. If you need to switch mode, pause the camera, and press mode to switch to camera mode.
4. Pause the camera, long press the "switch" button for three seconds to shut down.

Key functions

"Switch" button (video / camera / playback mode)

Long press: Power on/off

Quick press: Sound off

OK button Video on/off

Up/Down

Mode: camera /video /recording /playback function switch

Option: Quick press: menu Long press: SOS function on (video)

Cycling video recording

Turn on the machine, enter video mode, the upper left corner shows the red recording symbol, this means recording standby state. Press the "video" button to start recording, if no manual control the machine, the video file will be saved every two minutes automatically, when the card is full, it will automatically delete the first file, continue recording, to finish cycling recording function (At night, the machine automatically turn to night vision, open the infrared light to capture). Automatically recording when the car power on. Automatically saving the file and turn off in 5 seconds when the car power off. The user can set up cycle video time: 2 minutes, 5 minutes, 10 minutes

Camera mode

Turn on the machine, enter camera mode by pressing MODE button, the upper left corner shows the red recording symbol, this means camera on mode. Turn the camera to the object, hold it steady. Press the "video" button, the camera makes a "click" sound, shooting complete.

Playback mode

Turn on the machine, press "MODE" three times to go playback mode, the play symbol shows in the upper left side. to play video files or sound files you can press the "UP" and "DOWN" button to choose, then press "video" to play, press "UP" to pause or continue.

Delete function

When in the playback mode, press "UP" and "DOWN" to choose the files to delete, press MENU button, "UP" "DOWN" to choose the files to delete. Delete the specific file or delete all files.

3. SETUP MENU

Video setting

Press Switch button, press Menu in camera mode then go to the settings, choose Video setting press Video button to confirm

- Video mode setting: HD 1280 * 720, VGA 640 * 480
- The exposure value: -2.0 to +2.0
- Time: recording time on/ off.
- Motion Detection: on / off, select "On", press the "Video" button to start motion detection, if the objects move, then the machine will automatically begin recording, 2 minutes for a file, after 2 minutes if there is no subject movement, the machine is in motion detection standby sleep mode, when the objects move, it begins recording again.
- Cycling recording: Select turn on or off the cycling camera function; The length of time: 2 minutes, 5 minutes, 10minutes
- Motion detection sensitivity: divided into high (sensitive), standard (General), low (less delay)
- Video sound: on / off, refers to video with sound or without sound
- G-sensor gravity sensing function is divided into high (sensitive), standard (General), low (less delay)

Press "OK" button to confirm, to complete the setup, press "Menu" to exit.

Camera Settings

- "Switch" button to turn on the machine, press the "mode" button to enter the camera mode from video mode, select "Menu" to enter the menu setting
- Image size: 1920 * 1080 1280 * 720 640 * 480

- Image Quality: High / Standard / Economy
- The exposure value: -2.0 ~ +2.0 for selection
- Brightness: Auto / 100/200
- Saturation: High / Standard / Low
- Sharpness: sharp / standard / soft
- Color: Standard / Black & White
- Preview: on / off

Press the "Video" button to confirm, complete the setup, click the "Menu" to exit.

Playback Settings

- Press the "switch" button to turn on the machine, switch camera mode from video mode by pressing Mode button twice, press three times to enter the playback mode, select "Menu" to enter the menu setting mode, and then select:
- File locking: lock / unlock single image, lock all, unlock all
- Delete file: delete sheet, delete all
- Slide show: Start, with pause 1 second, cycle
- Voice memo: add, delete
- Set to boot screen: yes / no

Press the "Video" button to confirm, complete the setup, click the "Menu" to exit.

System settings

Press the "switch" button to turn on the machine, enter the menu setting from video mode, and then press the "mode" button (camera settings / system settings), select System Settings, Press the "Video" button to confirm

- Format: Execute / Cancel
- Language: English, Simplified and Traditional Chinese, Spanish, French, Portuguese, German, Japanese, Russian
- Screensaver time: off. For 1 minute. 2 minutes. 3 minutes. 4 minutes. 5 minutes
- Restore the factory default setting: Perform / Cancel
- Frequency: 50Hz, 60Hz
- Date and Time: month / day / year / min
- USB function: net camera / Disk drive
- TV standard: NTSC / PAL

Press " Video "button to complete the setup, slect " Menu " to exit.

4. TECHNICAL CHARACTERISTICS

Screen:	2" LCD
CPU:	Novatek
Lens:	140°
Zoom:	4x digital zoom
Video resolution:	1920*1080p, 1440*1080p, 1280*720p, 848*480p, 640*480p, 320*240p
Video format:	AVI
Picture resolution:	12M, 10M, 8M, 5M, 3M, 2M, VGA, 1.3M
Picture format:	M-JPG
G-sensor:	built-in
Motion detection:	yes
Card support:	SD (up to 32Gb)
Mic:	yes
IR lights:	yes
Video out:	HDMI
TV out:	PAL/NTSC
Frequency:	50Hz/60Hz
Nominal voltage/power/current:	DC 5V/5w/1A
Car power adaptor:	DC 12-24V
Battery:	built-in rechargeable battery 3,7V 500mAh
Product size:	90x52x32mm
Box size:	175x135x85mm
Net/gross weight:	80g/450g
Product color:	black

Note: the manufacturer reserves the right to make changes to the product. Design, software, technical specifications are subject to change without notice.

5. PACKAGE CONTENTS

1. Car DVR
2. Mount
3. USB cable
4. Car Charger
5. HDIM cable
6. AV cable
7. Instruction manual
8. Warranty Card

