

**ORION**<sup>®</sup>

“SMART PEOPLE CHOOSE ORION”

# CAR VIDEO REGISTRATOR

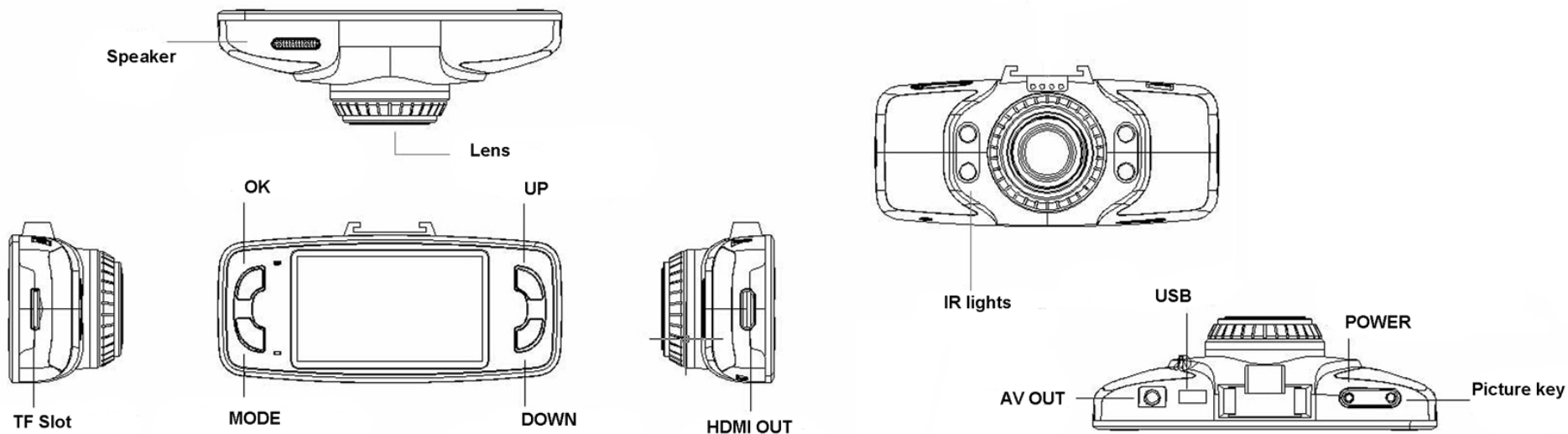


**INSTRUCTION MANUAL  
MODEL: DVR-GP4000FHD**

English

Dear customers! Thank you for purchasing ORION products. Before operation, please read this instruction manual. Save it for future reference.

## 1. CONTROLS AND CONNECTORS



## 2. DESCRIPTION

"Mode"	<ul style="list-style-type: none"> <li>– press once switch to menu interface, press twice switch to playback.</li> </ul>
"UP-DOWN"	<ul style="list-style-type: none"> <li>– menu state for menu selection;</li> <li>– playback state used to browse the pictures;</li> <li>– in the video playback state, fast forward, rewind operation.</li> </ul>
"Power"	<ul style="list-style-type: none"> <li>– long press to execute on/off operation.</li> <li>– standby and camera status, short press to LED conversion.</li> </ul>
"REC"/"OK"	<ul style="list-style-type: none"> <li>– recording key, used to start /stop photography;</li> <li>– menu state; used to confirm menu settings;</li> <li>– in the state of video playback, used to start, pause, play.</li> </ul>

### 3. HOW TO USE/SET UP

#### Function

Photography mode, press the REC button to start recording, press the REC button to stop recording; in the process of recording, left above the screen will appear red icon.

The choice of the fill light in photography state, short press the key to select fill light mode, followed by strong complement light, automatic fill light, fill light off.

Digital zoom, the camera aligned camera body and press the up and down keys to adjust.

- Select the video resolution: 1920 \* 1080/30fps, 1440 \* 1080/30fps, 1280 \* 720/60fps.
- Audio: when you open and close the MIC for recording video files record a sound
- Loop recording: Set 3/5/10 minutes
- Delay shutdown: whether delay shutdown when the car is turned off
- Infrared light: used to select the fill light to on / off / auto
- Motion detection: motion detection function is turned on / off
- MD SENS: motion detection sensitivity settings, weakening of sensitivity in turn from 1-8
- Language: Set Language
- Volume: Set 0-7
- Date/Time: set the date and time, using the up and down arrow keys to add or subtract, press the "OK" button to confirm and enter the next setting item
- TV output: NTSC / PAL
- Format: used to format the memory of TF card
- Reset the system: Yes/No
- Auto power off: 1/3/5minutes
- Light Frequency: 60HZ/50HZ
- Screen Saver: 1/3 minutes
- G-sensor: 1-8
- GPS: Yes/No

### **Operation Instruction**

Using Car DVR, connect the device with car charger. Thus, when car boot, it will record video automatically; when car turn off, it will automatically stop recording and save the video files.

Tips: Please charge this device with standard car charger, otherwise, it may cause damage to the machine.

### **Memory card use**

TF card insertion direction, if the direction of insertion is incorrect, may damage the machine and TF card;

Initial use of the memory card in the machine, please use the machine to do the format operation. Press MENU, select the format, press the button REC to confirm the formatting.

Reset the system

Press the MENU key twice, and continue press the button to select system reset to set system parameter the original value.

Automatic shutdown

Used to set the automatic shutdown when stop recording.

### **Frequency**

Used to select the frequency of the AC. If you choose the wrong light frequencies, the image will appear interfere. In China, it should be set to 50HZ

### **Automatic off-screen**

Set the time automatically off-screen, press any key to wake up the LCD screen

### **G-sensor**

For monitoring vehicles to the exercise of the collision, if there is a collision, then automatically trigger a mandatory save function, the lower left corner, a lock symbol appears, the file is saved, not deleted by loop recording

### **Protected files**

Automatically protect files can set Gravity sensor sensitivity, options are cancel 1/2/3/4/5/6/7/8 of nine options, file protection function is triggered off automatically when the setting is cancel, lowest impact strength is 1 and highest is 8 (in order to avoid the card size influence video, locking the document file size limit of 1G) manual file Protection feature: in the recording process, press the mode button to manually force the protection of current video, if in protection state, and then press the mode button to abolish the mandatory protection function. In playback state, short press the power button to force protection or lifting force to protect the currently selected document

#### 4. PLAY SOFTWARE INSTALLATION AND USE

1. Install the software from CD (OPTION): QUICKTIMEINSTALLER.EXE
2. Replicate play package. Copy CARDV folder from CD to computer
3. Double-click CARDV C2 exe in the folder CARDV. Choose the video document to play directly the video.



#### 5. TECHNICAL CHARACTERISTICS

Screen:	2,7" LCD
CPU:	Ambarella
Lens:	178°
Zoom:	4x digital zoom
Video resolution:	1920*1080, 1440*1080, 1280*720
Video format:	MOV
Video compression:	H.264
Picture resolution:	12M
Picture format:	M-JPG
G-sensor:	built-in
GPS-tracker	yes
Motion detection:	yes
Memory:	built-in: 256MB, card support: TF (up to 32Gb)
Mic:	yes
IR lights:	yes
Video out:	HDMI
TV out:	PAL/NTSC

Frequency:	50Hz/60Hz
Interface:	USB/HDMI/AV
Nominal voltage/power/current:	DC 5V/7,5W/1,5A
Car power adaptor:	DC 12-24V
Battery:	built-in rechargeable battery 3,7V 300mAh
Product size:	109x39x48mm
Box size:	175x135x85mm
Net/gross weight:	90g/475g
Product color:	black

**Note:** the manufacturer reserves the right to make changes to the product. Design, software, technical specifications are subject to change without notice.

## 6. PACKAGE CONTENTS

1. Car DVR
2. Mount
3. USB cable
4. Car Charger
5. HDMI cable
6. AV cable
7. Instruction manual
8. Warranty Card

