

ORION[®]

USER MANUAL

ELECTRIC FAN WITH HUMIDIFIER

Model: ORION OF1601S



Thank you for your purchase. Please read this manual thoroughly before plugging it in.

Introduction

This product has both fan and humidifier functions, which can be used together or separately. The humidifier is especially useful on very hot days, when the extra mist in the air helps not only to cool you down, but also to increase the humidity in the dry heat.

How does it work?

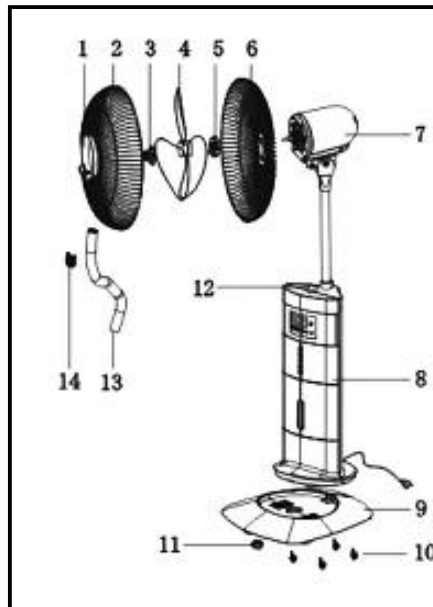
This Mist Fan uses ultrasonic vibration to atomise water into 1-5 micron particles, which can then be blown through the room with the fan.

Why is it useful?

Not only does this fan help to cool you down with air containing micro water droplets, it also helps to avoid dry skin and eyes which are common in dry heat. A relative humidity of 45% - 65% is recommended for comfortable living, and this fan can help maintain that balance in the hot summer months.

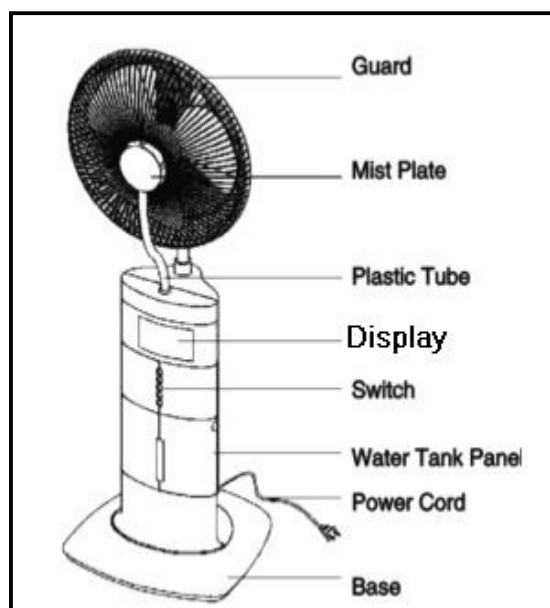
Parts

1. Front mist plate
2. Front Guard
3. Blade cap
4. Blade
5. Guard Mounting Nut
6. Rear Guard
7. Motor
8. Fan Body
9. Base
10. Castor wheels
11. Base Nut
13. Plastic Tube
14. Tube Button



Technical Data

Rated Voltage: 230V~
Rated Frequency: 50Hz
General Power: 120W
Max Mist Capacity: 200ml/h
Fan Head Size: 400mm
Water Tank Capacity: 1500ml

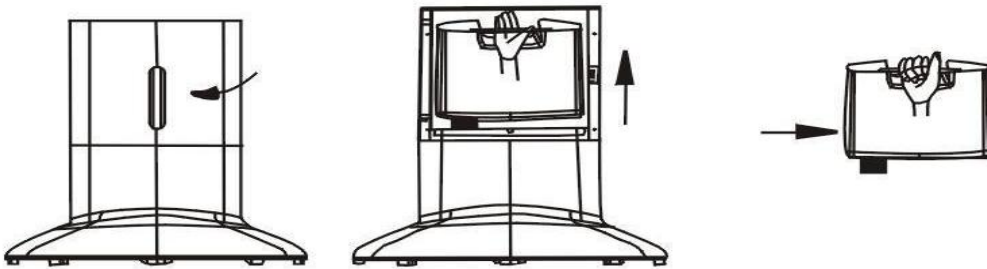


Installation

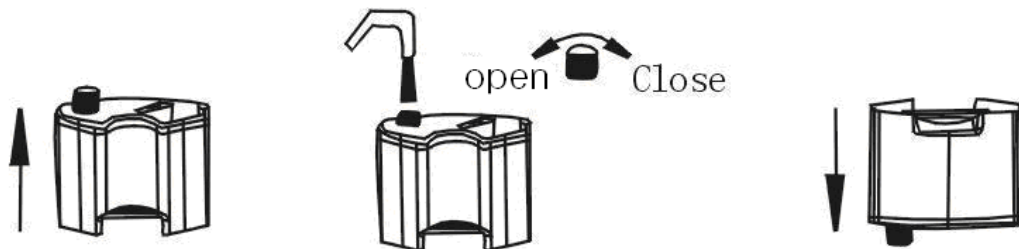
- 1: First base is installed in place of the main stable
- 2: The head fixed in the main part of the bearing hole
- 3: Installed guard and blade, and net fixed firmly lock the lookout Network

Filling the water tank

Place the fan on a flat, stable floor, then add water for the humidifying function as follows:

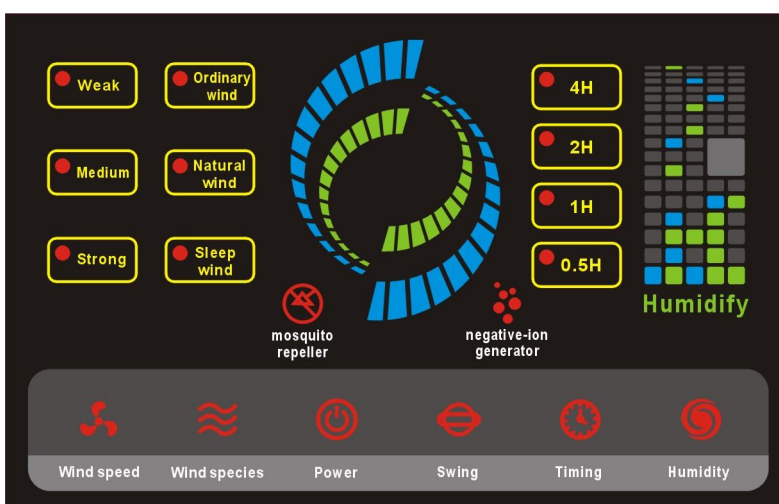


1. Open the water tank cover.
2. Lift out the water tank cover.
3. Take out the water tank.



4. Over a sink, turn the water tank so the outlet cap is facing upwards.
5. Screw off the tank cap, and add water.
6. Screw tank cover tightly, and put it into the fan, then close panel.

Operation



*Insert plug to the electrical outlet, and the indicator light turns on.

*Press "ON/SPEED" button to choose the wind for low, Med, High speed that matches the light on the control panel.

*Press "MODE" to choose the wind type from one of the following:

"Normal": Wind flow based on Low/Med/High speed.

"Breeze": Imitates the flow of natural wind based on strong and soft wind.

"Sleep": The fan runs for half an hour on strong then soft natural wind mode, then changes to soft natural wind for the next half hour, and then the fan turns off automatically.

(1).Setting H:

Operation pattern: H→Stop→H→Stop→H

(2).Setting M:

Operation pattern: M→stop →M→Stop→M

(3)Setting L:

Operation pattern: L→Stop→L→off→L

*Press "SWING" to start oscillation; press again to fix the airflow direction.

*Press "HUMIDITY" to start the humidifying function; mist comes out of the front plate if there is water in the tank.

The MIST function can be used on its own or along with the fan function to blow the mist into the room.

*Press "TIMER" button to make the fan run for the length of the timer. There are 4 indicator lights for automatic timing. To set a time of **7.5 hours** you need to press 15 times and all the 4 indicator lights light up.

* The Remote Control must be pointed towards the Remote Sensor on the main unit for best results. If the remote control doesn't operate as expected, replace the batteries (**2 pcs, AAA battery**).

*Press "NEGATIVE-ION GENERATOR " to start the negative-ion function.

Caution

* Do not touch / pull out / put back the water tank when the unit is plugged into a power source. Make sure it is physically disconnected from the mains before doing anything with the water tank.

* When the water level is too low, the safety switch will cut out operation of the mist function. Unplug the unit and refill the water tank for further operation.

* Do not let dust or other particles collect on the mist plate - if the mist outlets are blocked, the mist function could malfunction.

* Before cleaning the unit, make sure it is completely disconnected from the power source. Make sure your hands are not wet when unplugging the unit.

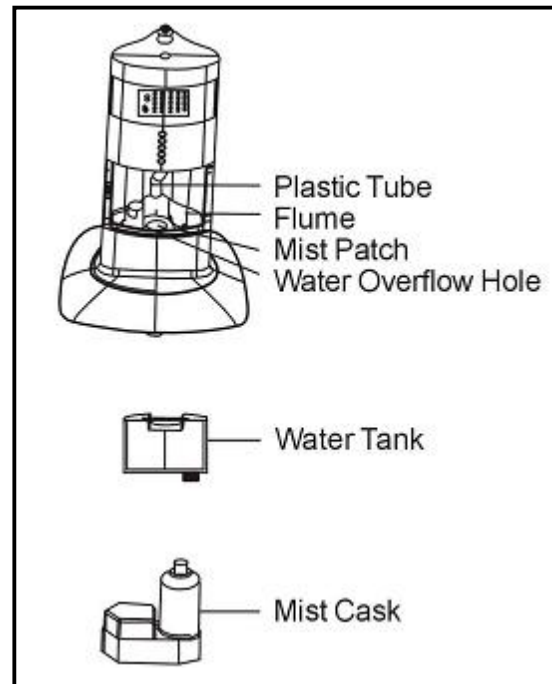
* Do not use very hot water in the water tank - use water less than 40 degrees Celsius.

* Use only water in the water tank. Do not add chemicals or oils or any other additive.

* Infants, the disabled and the elderly should not be in the direct airflow from the fan for long periods of time.

Cleaning and Maintenance

- * Make sure power is disconnected before any cleaning or maintenance is performed.
- * It is recommended that you clean the water tank every 2-3 weeks of use, and clean the flume every week.
- * Pull out the water tank before cleaning it - pull the plastic tube out of the mist cask properly, then take out the mist cask and water tank.
- * Use a dry cloth to clean the mist cask. If there are stubborn stains on the mist cask, use a cloth lightly dampened with mild detergent.
- * If the mist feature will not be used for a long time, empty the water tank and leave it to dry before recapping it.



Troubleshooting

Fault Phenomenon	Reason	Solution
1. Mist projector works normally, but without mist spray	<ul style="list-style-type: none"> a. Water could be contaminated with other substances or chemicals b. Water tank could be cracked c. Water tank could be empty 	<ul style="list-style-type: none"> a. Clean out the water tank and replace with clean water b. Pour out the water and check for cracks c. Refill the water tank. A full tank of water will last approximately 8 hours
2. Mist projector doesn't work	<ul style="list-style-type: none"> a. Bobber doesn't float b. Water tank could be empty 	<ul style="list-style-type: none"> a. Free the bobber and allow it to float freely. b. Refill the water tank. A full tank of water will last approximately 8 hours
3. No indicator light, no wind, no mist.	<ul style="list-style-type: none"> a. Power cord is unplugged, and electric power is power off 	<ul style="list-style-type: none"> a. Plug the power cord, and turn on the electric power
4. Peculiar smell from the mist	<ul style="list-style-type: none"> a. When new, there might be residue in the water tank/mist plate. b. The water in the water tank may be contaminated. 	<ul style="list-style-type: none"> a. The smell should disappear after further use. b. Clean out the water tank and refill with fresh water
5. The fan doesn't work as normal	<ul style="list-style-type: none"> a. The plug and supply cord are damaged b. The blades are bent c. Don't safety device 	<ul style="list-style-type: none"> a. Find service agent or a suitable qualified person to change or service b. Don't play the blades. Use soft damp cloth then wipe with dry cloth c. Installed correctly in accordance with the manual. Can not be installed until there is no electricity

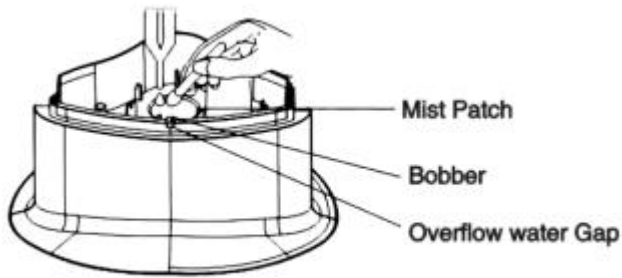


Figure of cleaning mist patch

WARNING:

Unplug from electrical supply source before cleaning. After servicing, any safety device (including grilles and blades) must be reinstalled or remounted as previously installed. Use soft damp cloth then wipe with dry cloth. Do not use harmful cleaners. Do not bend the blades.

If the plug and supply cord are damaged, it must be replaced by the manufacturer, its service agent or a suitable qualified person in order to avoid a hazard.

This appliance is not intended for use by persons (including children) with reduced physical, sensory or mental capabilities, or lack of experience and knowledge, unless they have been given supervision or instruction concerning use of the appliance by a person responsible for their safety.

Children should be supervised to ensure that they do not play with the appliance.

Subject to change without notice.

