

ORION®

INSTRUCTION MANUAL

HAIR STRAIGHTENER
Model: OR-FI08

ENGLISH

GB

Dear Customers, Thank you for buying ORION products!

Welcome to use!

Read the instructions for use carefully before using the appliance and save them for future reference.

IMPORTANT SAFETY INSTRUCTIONS

1. This appliance complies with the recognized rules of the technology and the pertinent safety regulations for electrical appliance.
2. The main cable of this appliance cannot be replaced. If the cord or the plug is damaged or defect, the appliance should be discarded.
3. The Voltage of the power source must be same as specified on the rating plate!
4. Connect the appliance only to AC current and to a socket with earthing contact. Do not pull the cable over sharp edges, clamp it into place or allow it to hangdown! Keep the cable away from hot and damp areas!
5. Before using checks that the appliance functions properly! The appliance should not be used if:
 - The connecting cable is damaged
 - The appliance shows noticeable damage
 - The appliance has been dropped
6. Never wind the main cable around the appliance.
7. The main cable must not come into contact with hot appliance parts and should never run between the straightening plates!
8. Only insert the main cable plug to power supply when the appliance is switched off!
9. The appliance must not come into contact with flammable material. It must also not be used near flammable material because the straightener plates reach temperature of approx. 230°C!
10. Never cover the straightening plates with any object!
11. The appliance must never be switched on when the clamped together. Ensure that the appliance is open!
12. Children are not aware of the hazards of electrical appliances. Therefore, close supervision is necessary when children use the appliance!
13. Remove the plug from the power supply:
 - If the appliance does not function properly
 - Before cleaning
 - After every use
14. Do not pull on the main cable and do not carry the appliance by means of the cable!
15. Always disconnect the appliance from the power supply and allow the appliance to cool down before cleaning and maintenance, or if faults occur during operation!
16. Do not use the main cable to pull on the plug nor remove the plug from the socket with wet hands!
17. Never grasp the appliance by or near the straightening plates when the appliance is on. The straightening plates can cause burns. Avoid contact with the skin and eyes. Never transport the appliance when hot!

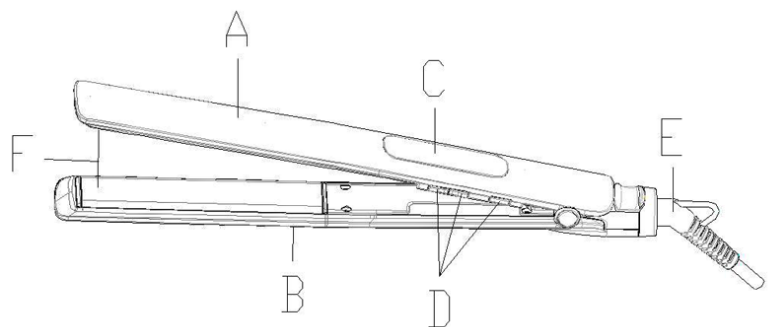
18. Never use the appliance with wet hands, in the bath or shower or over a filled washbasin. If the appliance falls into the water, remove the main cable plug immediately. When the appliance is used in a bathroom, unplug it after use.
19. After use, or if pausing for a significant length of time, unplug it and let the appliance cool down!
20. Protect the appliance away from moisture. Never put it into the dishwasher. Never immerse it in water!

CHARACTERISTICS

- Power supply: 220-240V, 50Hz
- Power consumption: 50W
- 25x120 mm ceramic coating plates
- Electronic temperature control
- «+/-» buttons for temperature control from 150°C - 230°C
- PTC heating element
- Heating time: 30 sec
- 1 hour auto off protection
- On/Off button
- Lockable handle
- Hanging loop
- Swivel power cord 1,8m
- Electric shock protection class: II
- Humidity protection degree: IPX0
- Net weight: 396,2g
- Product size: 300x32x28mm
- Gift box size: 350x55x85mm
- Color: white

DETAILS

- A. B. Handles Power cord
 C. LCD display
 D. On/Off button and «+/-» buttons for temperature control
 F. Heating plates



HOW TO USE

Switching on the appliance

- Connect the appliance into the power supply (220-240v) than the display screen would be show "OFF"
- Press the "ON/OFF "button. The unit would be start work, The display screen would be show the Default temperature setting 230°C. The display screen would be flick, it would be stop when the heating plates temperature is reached.

Setting the temperature

Warning!

Risk of burning your hair if selected temperature is too high!

Depending on your hair to select the suitable temperature by the temperature control button "+" & temperature control button "-", the wrongly selected temperature or improper use of the hair straightener puts your hair at risk of drying out or in the worst case burning.

Note!

Higher temperature settings are reached in just a few seconds, a reduction of temperature setting take effect more slowly.

Temperature setting:

- Temperature settings: 150°C - 230°C
- Default temperature setting is 230°C
- If press temperature control button "+", the pertinent temperature would be show on the display screen, and flicking, it would be stop when the straightening plates are reached.
- If press temperature control button "-", the pertinent temperature would be show on the display screen, and flicking, it would be stop when the straightener plates reduced to the required temperature.
- Suggestion: Always select the lowest temperature setting (150°C) when using your hair straightener for the first time.

Auto - off

- The unit would be auto off after one hour from your last operation.

Straightening hair

Hold the appliance at the handle, always at a safe distance from skin and eyes. Use a mirror.

- Part you hair into approx. 4 cm strands.
- Hold the appliance in the hand.
- Begin at the roots and lay the prepared strands one at a time between the straightening plates
- Close the appliance and draw the hair straightener slowly from the roots through to the tips of your hair. Repeat until your hair is as straight as you desire.
- After finishing styling, let your hair cool down and then comb it through.

Switching off the appliance

Press the "ON/OFF" button about 1 second then the unit would be shut off.

CLEANING AND MAINTENANCE

- The appliance must be unplugged before cleaning. Let the appliance cool down before touching or cleaning.
- Use the damp cloth to clean the plates and housing.
- Do not use any harsh detergents, abrasives, solvents or cleaners. Never immerse in water to clean.

Subject to change without notice

Extra information on ORION company web-site www.orion.ua

We take your opinion and offers by E-mail support@orion.ua